

HCS Series 1201-30

Link Soft HAPPY Link

Attached "Link Soft" allows you to operate most of the Machine function from PC.



MEMORY CARD SLOT

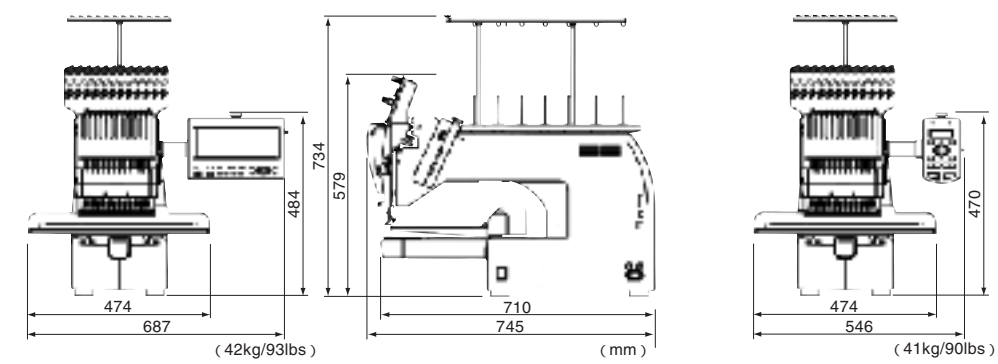
The Happy HCS machine reads Flash memory cards for easy design transfer. An exclusive adapter that allows you to use many popular types of flash memory cards.

STANDARD FEATURES AND FUNCTIONS

- HAPPY LINK SOFTWARE
- ROTARY TYPE THREAD SENSORS
- PORT FOR PC CONNECTION: USB AND SERIAL (INCLUDES CABLE)
- SAFETY COVER WITH SENSOR
- AUTOMATIC THREAD TRIMMERS
- AUTOMATIC COLOR CHANGE
- BUILT IN MEMORY CARD SLOT (PC-ATA-STANDARDS)
- BUILT IN BOBBIN WINDER
- MACHINE MEMORY 250,000 STITCHES
- FRAME TRACE FUNCTION
- FRAME OFFSET
- FRAME OUT
- AUTO ORIGIN
- STITCH SWEEPER FUNCTION

SPECIFICATIONS

MODEL	HEAD	EMBROIDERY AREA		NEEDLE	SPEED (rpm)		MEMORY (stitch)	POWER SUPPLY	FREQUENCY	WEIGHT
		TUBLAR FRAME	CAP (SEMIWIDE)		TUBLAR	CAP				
HCS-1201-30	1	290×290mm 11.4×11.4 inch	70×180mm 2.8×7 inch	12	300-1000	300-750	250,000	1PHASE AC100-120V or AC200-230V	50/60Hz	42kg 93lbs



NOTE
SEWING AREA IN THE SPECIFICATION LIST SHOWS MAXIMUM MOVING DISTANCE BUT ACTUAL SEWING MAY BE LIMITED BY HOOPS TO BE USED. SPECIFICATIONS ARE SUBJECT TO CHANGE WITHOUT NOTICE. MAXIMUM MACHINE SPEED MAY CHANGE BY SEWING CONDITION.

Manufactured by :
HAPPY Industrial Corporation
TOKYO OFFICE 9-5, Taito 2-chome Taito-ku, Tokyo, Japan
phone: +81-3-3834-0711 fax: +81-3-3835-8917
E-mail: emb-info@happy-ind.co.jp

Distributed by :

HCS Series 1201-30

Computerized Compact Single Head Embroidery Machine

ULTIMATE EMBROIDERY MACHINE
ULTRA LIGHT / ULTRA COMPACT
ULTRA FAST / ULTRA EASY OPERATION

HAPPY Industrial Corporation
JAPAN